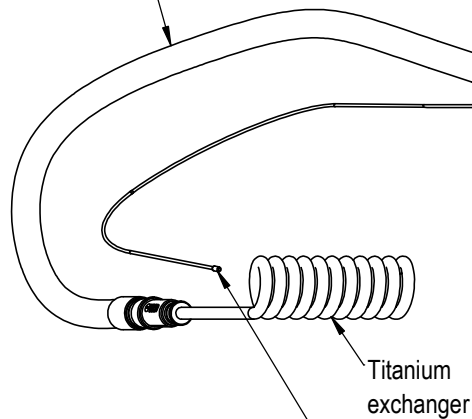
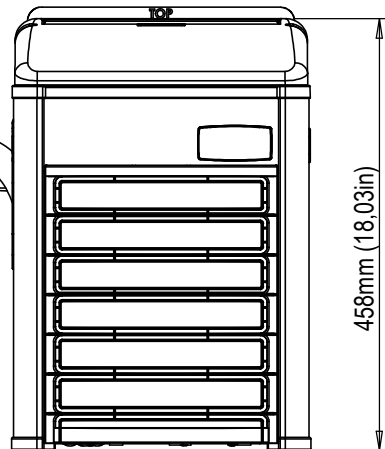


exchanger flexible pipe

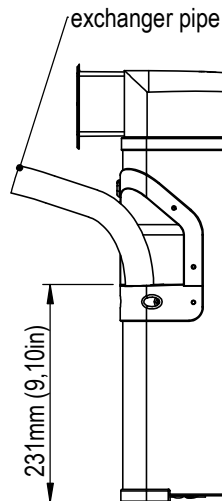


Titanium exchanger
water probe



458mm (18,03in)

231mm (9,10in)

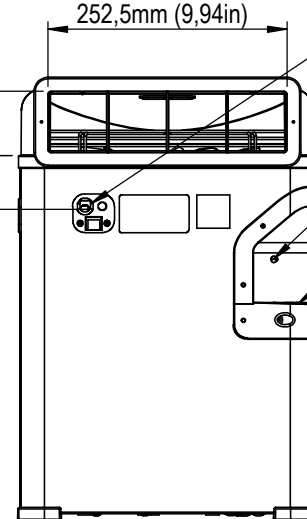


exchanger pipe

68mm (2,68in)

386mm (15,20in)

332mm (13,07in)

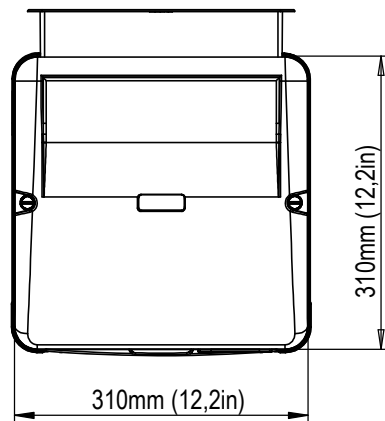


252,5mm (9,94in)

power cord outlet

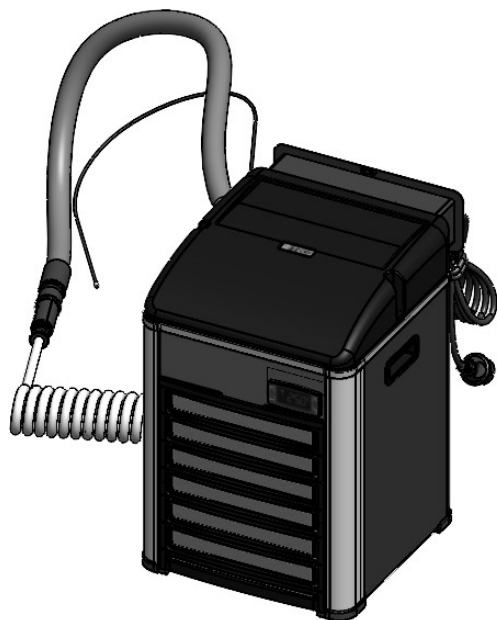
probe cable outlet

exchanger pipe outlet



310mm (12,2in)

310mm (12,2in)



Voltage-Frequency	230V - 50Hz	
Current Consumption (Cooling)	1,1 A *	(1,2 A**)
Power Consumption (Cooling)	235 W *	
Cooling Capacity	540 W *	1840 Btu/h *
Dimensions	310mm x 310mm x 458mm (h)***	12.2in x 12.2in x 18.03 in (h)***
Weight	18,9 kg	41,7 lb
Min Water Flow	2400 l/h	634 Usгал/h
Air Flow	160 m³/h	5650 CFH
Climate class	ST	
Ambient Temperature Range	16°C - 38°C	61°F - 100°F
Water Temperature Range	5°C - 30°C	41°F - 86°F
Unit of measure of temperature	°C (also °F available on request)	
Certification /Protection Grade	CE /IPX4	
Refrigerant	105g R290 ****	
* reported value refers to the following condition: room temperature 30°C (86°F), water temperature 25°C (77°F)		
** reported value refers to the following condition: room temperature 38°C (100°F), water temperature 25°C (77°F)		
*** dimensions exchanger excluded		
**** always check in technical label on each chiller		
All data are approximate and may be changed without notice by TECO		

Modify:

Drawer:

Material:	Drawing: DI 1000 230V 50Hz technical data - Page 1		
Thickness:	File: DI_1000_R290_230V-50Hz_technical_drawing		
Finishing:	Your.code:	Code: TKC#XX30CC22_	
Volume:	Tol.	Scale: 1:8	Date: 06/05/2026
Approved:	Via Gregorio Ricci Curbastro, 8 48124 Fornace Zarattini - RA - ITALY Tel. +39 0544 408333 Fax 280084 http://www.tecoonline.com		
	Drawer: Giulia		

AS BY LAW ENACTED WE RESERVE US THE PROPERTY OF THIS DOCUMENT WITH THE PROHIBITION OF REPRODUCE IT, SAVE IT INTO ARCHIVES SYSTEM, GIVE IT OR HOWEVER LENT IT TO THIRD PARTY WITHOUT OUR AUTHORIZATION. EVERY VIOLATION INVOLVES THE COMPENSATION FOR THE UNDERGONE DAMAGES. WE MAKE RESERVATIONS ABOUT ALL THE RIGHTS DERIVING FROM PATENTS OR MODELS.

